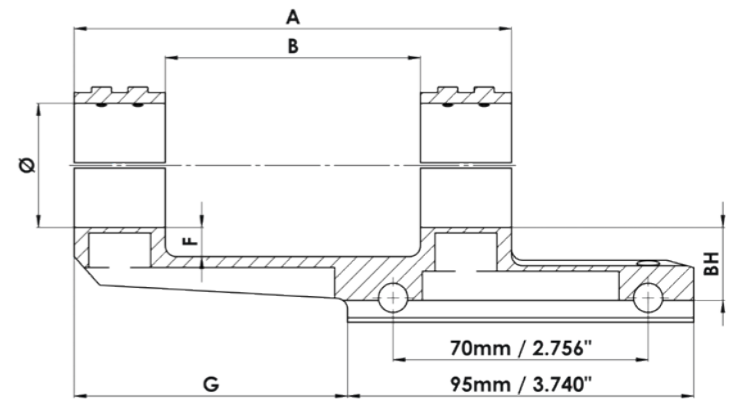


Blockmontagen – verlängerte Ausführung

One-Piece Mounts – Extended Version



Ø Durchmesser Diameter	BH Bauhöhe Height		Achshöhe Centerline Height		MOA Vorneigung Inclination	G Verlängerung Offset		A		B		F		Hebel / Best-Nr. Lever / Part #	Gewicht Weight		Mutter / Best-Nr. Nut / Part #	Gewicht Weight	
	mm	inch	mm	inch		mm	inch	mm	inch	mm	inch	mm	inch		g	oz		g	oz
30 mm	22	.87	37	1.46	-	50	1.97	120	4.72	70	2.76	10,0	.39	T4023-0022	282	9.95	T5023-0022	258	9.10
	22	.87	~ 35	~ 1.38	20 MOA							9,0	.35	T4023-2022	283	9.98	T5023-2022	259	9.14
	34	1.34	49	1.93	-	50	1.97	115	4.53	65	2.56	22,0	.878	T4023-0034	318	11.22	T5023-0034	294	10.37
	34	1.34	~ 47	~ 1.85	20 MOA							21,4	.87	T4023-2034	319	11.25	T5023-2034	295	10.41
	22	.87	37	1.46	-	75	2.95	120	4.72	70	2.76	10,0	.39	T4033-0022	287	10.12	T5033-0022	263	9.28
	22	.87	~ 35	~ 1.38	20 MOA							9,0	.35	T4033-2022	289	10.19	T5033-2022	265	9.35
34 mm	20	.79	37	1.46	-	50	1.97	120	4.72	70	2.76	8,0	.32	T4024-0020	285	10.05	T5024-0020	261	9.21
	20	.79	~ 35	~ 1.38	20 MOA							7,0	.28	T4024-2020	286	10.09	T5024-2020	262	9.24
	32	1.26	49	1.93	-	50	1.97	115	4.53	65	2.56	20,0	.79	T4024-0032	321	11.32	T5024-0032	297	10.48
	32	1.26	~ 47	~ 1.85	20 MOA							19,4	.76	T4024-2032	322	11.36	T5024-2032	298	10.51
	20	.79	37	1.46	-	75	2.95	120	4.72	70	2.76	8,0	.32	T4034-0020	290	10.23	T5034-0020	266	9.38
	20	.79	~ 35	~ 1.38	20 MOA							7,0	.28	T4034-2020	291	10.26	T5034-2020	268	9.45